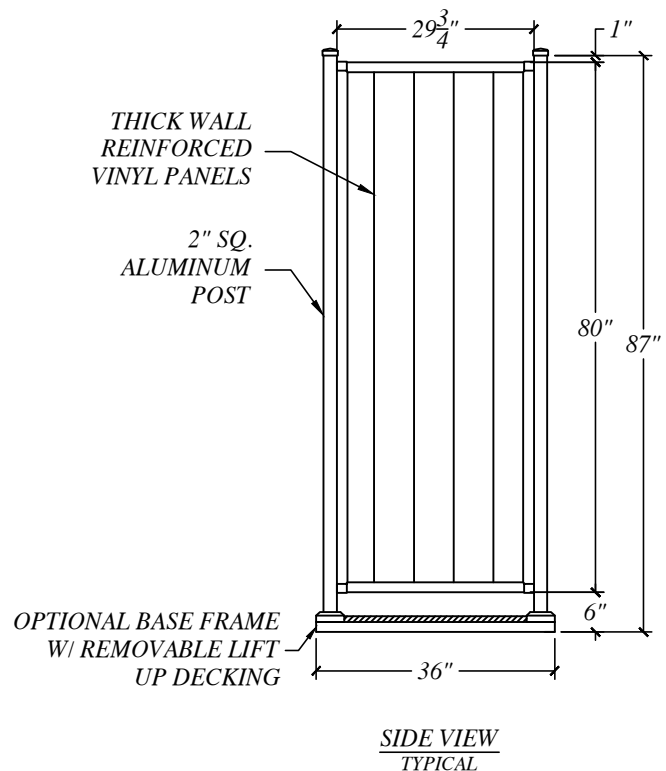
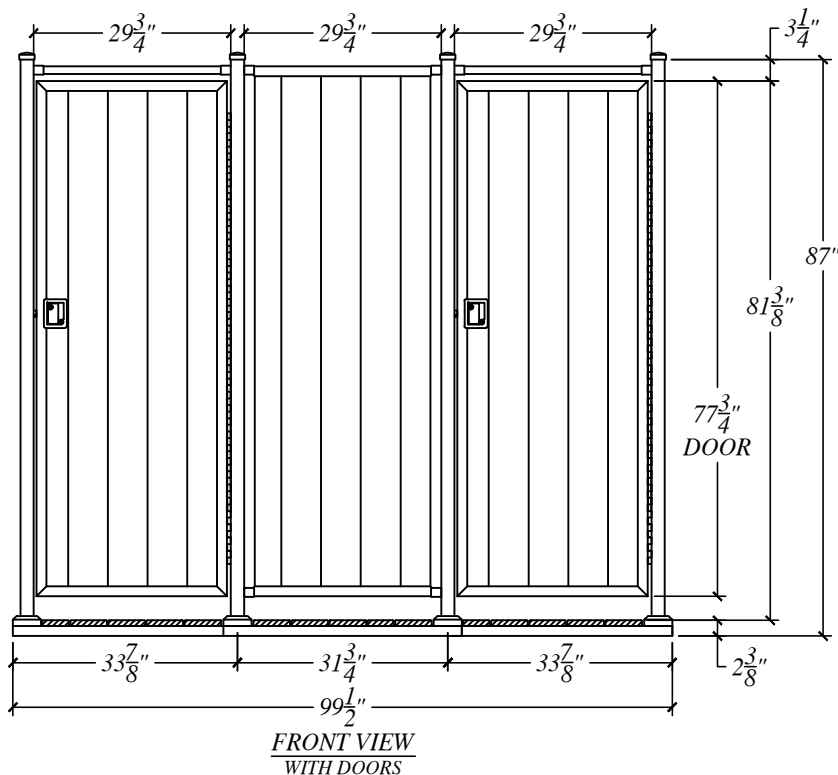
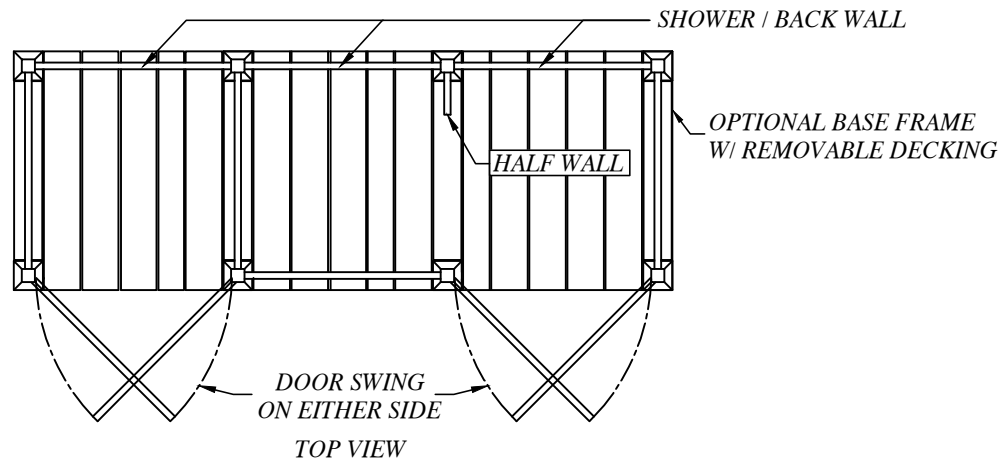


\\ADVANCED\Users\Advanced_Products\OneDrive\Company Folder\Outdoor Enclosures\CAD\Models\CAD\Models_Assy.dwg



○ MODEL C-1
36"

- NOTES:
1. WALL PANEL COLORS AVAILABLE: WHITE / BEIGE / GRAY
 2. DECKING FLOOR COLORS AVAILABLE: BEIGE / GRAY
 3. THE DOOR CAN BE MOUNTED ON ANY SIDE OF THE ENCLOSURE AND HINGE CAN BE MOUNTED ON EITHER SIDE.

NOT TO SCALE

		1915 SWARTHMORE AVE., LAKEWOOD, NJ 08701 TEL. (732) 286-9496 FAX (732) 286 0526	
SERIES:	AVCON ENCLOSURES	JOB NO.	-
SKU:	-	COLOR	-
DESC:	-	DATE	11/03/20
PRODUCT:	MODEL C-1 36"	DRAWN BY	MHE
<small>PROPRIETARY NOTE: ANY INFORMATION DISCLOSED HEREIN IS FURNISHED FOR EVALUATION PURPOSES ONLY AND SHALL NOT BE USED OR DISCLOSED EXCEPT AS SPECIFIED BY CONTRACT BETWEEN THE RECIPIENT AND AVCON.</small>		REV.	0