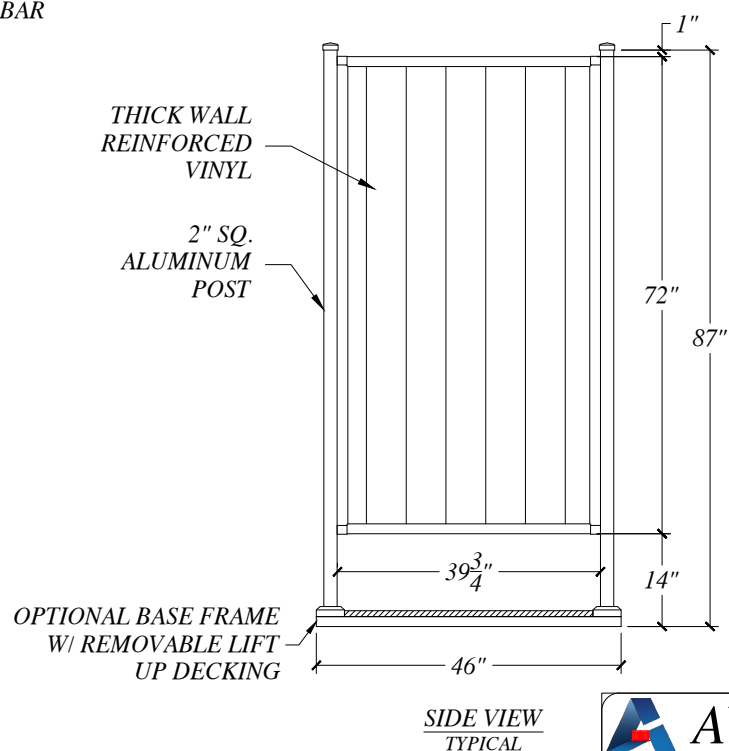
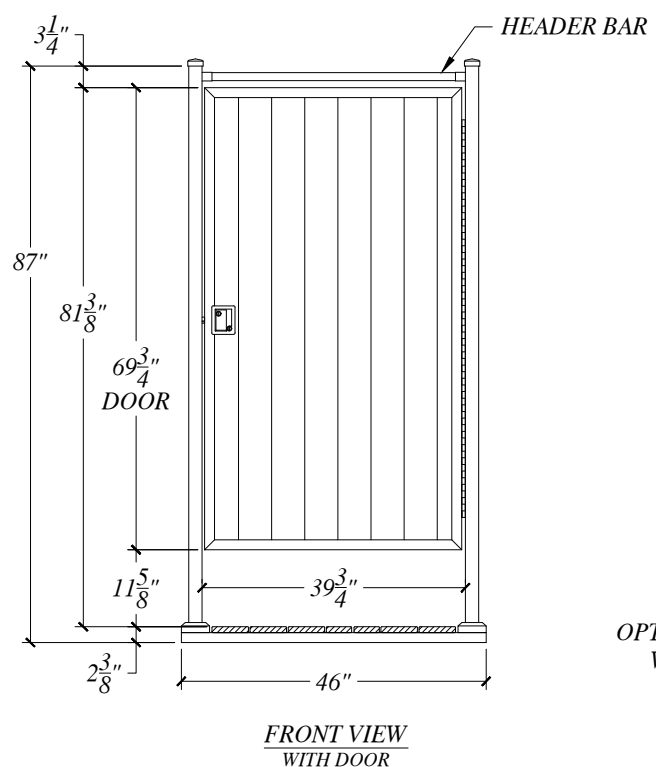
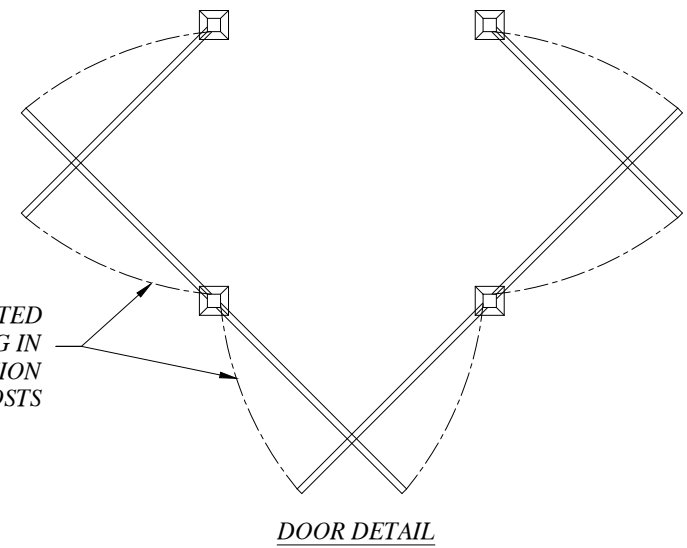
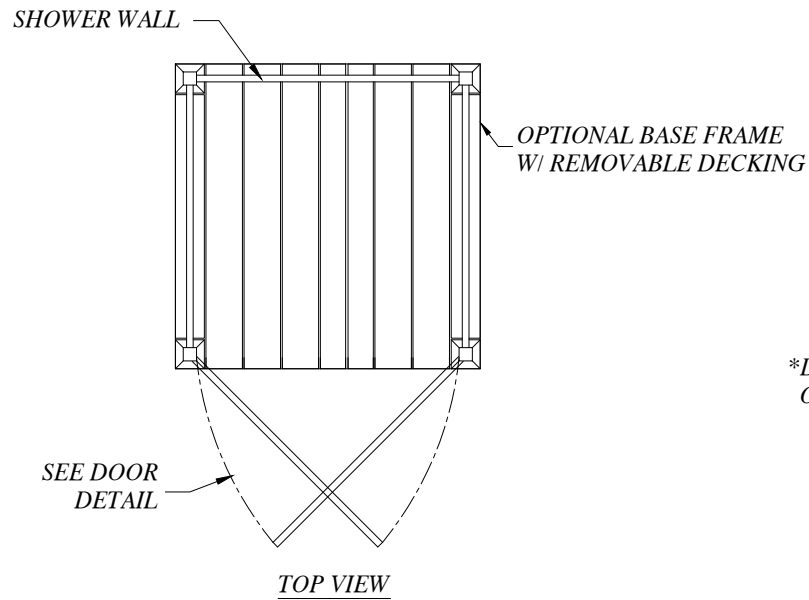


\\ADVANCED\Users\Advanced Products\OneDrive\Company Folder\Outdoor Enclosures\Models\CAD\Models Assy.dwg



- NOTES:
1. WALL PANEL COLORS AVAILABLE: WHITE / BEIGE / GRAY
  2. DECKING FLOOR COLORS AVAILABLE: BEIGE / GRAY
  3. THE DOOR CAN BE MOUNTED ON ANY SIDE OF THE ENCLOSURE AND HINGE CAN BE MOUNTED ON EITHER SIDE.

MODEL S-2  
46"

NOT TO SCALE

		1915 SWARTHMORE AVE., LAKEWOOD, NJ 08701 TEL. (732) 286-9496 FAX (732) 286 0526	
SERIES: AVCON ENCLOSURES	JOB NO. -		
SKU: -	COLOR -		
DESC: -	DATE 09/09/20	DRAWN BY MHE	
PRODUCT: MODEL S-2 46"	REV. 0		
<p>PROPRIETARY NOTE: ANY INFORMATION DISCLOSED HEREIN IS FURNISHED FOR EVALUATION PURPOSES ONLY AND SHALL NOT BE USED OR DISCLOSED EXCEPT AS SPECIFIED BY CONTRACT BETWEEN THE RECIPIENT AND AVCON.</p>			