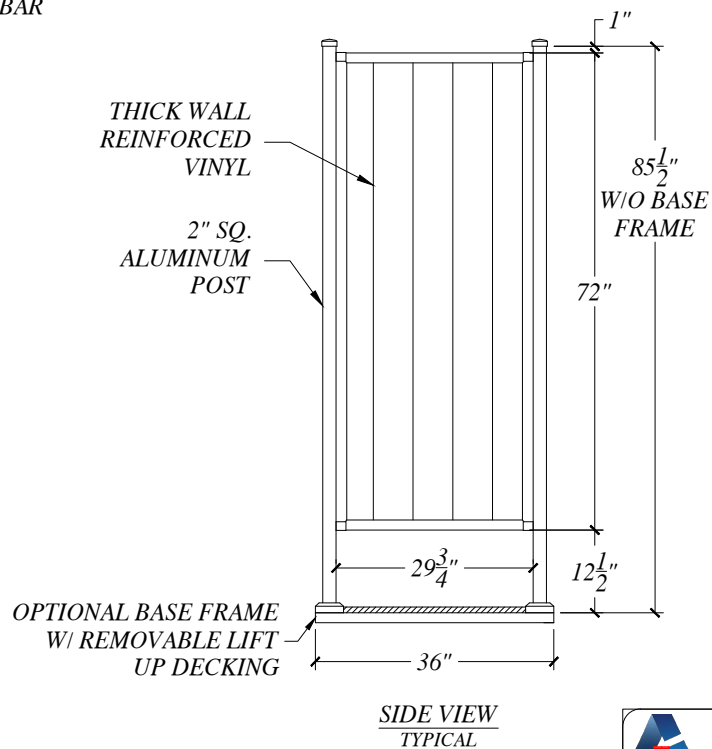
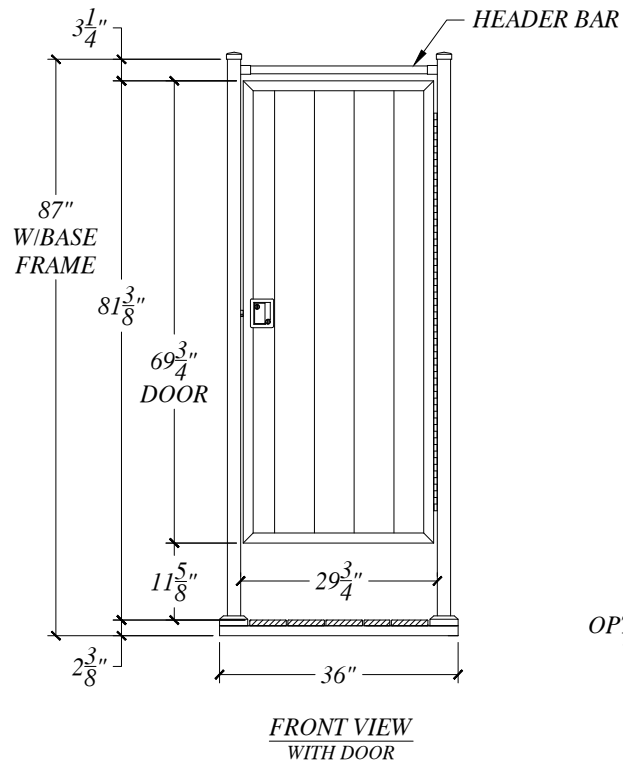
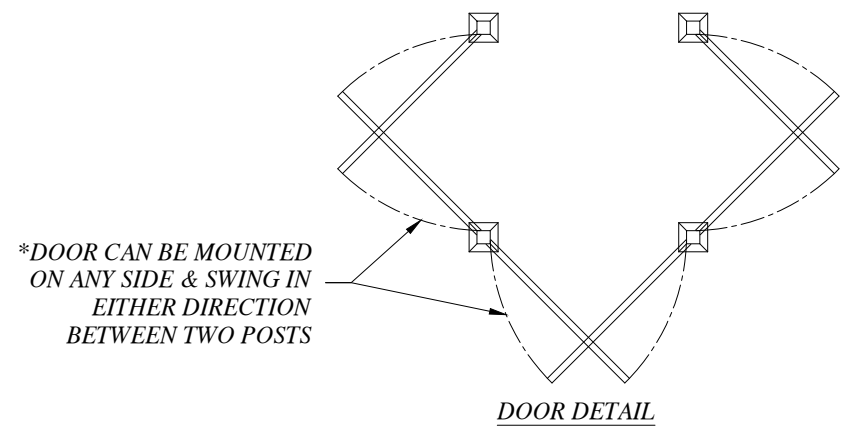
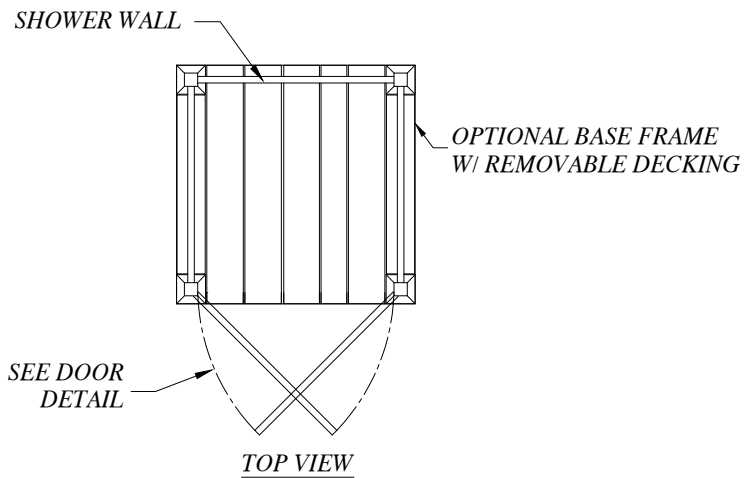


\\ADVANCED\Users\Advanced Products\OneDrive\Company Folder\Outdoor Enclosures\Models\CAD\Models Assy.dwg



- NOTES:
1. WALL PANEL COLORS AVAILABLE: WHITE / BEIGE / GRAY
  2. DECKING FLOOR COLORS AVAILABLE: BEIGE / GRAY
  3. THE DOOR CAN BE MOUNTED ON ANY SIDE OF THE ENCLOSURE AND HINGE CAN BE MOUNTED ON EITHER SIDE.

○ MODEL S-2  
36"

NOT TO SCALE

		1915 SWARTHMORE AVE., LAKEWOOD, NJ 08701 TEL. (732) 286-9496 FAX (732) 286 0526		
SERIES:	AVCON ENCLOSURES	JOB NO.	-	
SKU:	-	COLOR	-	
DESC:	-	DATE	09/08/20	
PRODUCT:	MODEL S-2 36"	DRAWN BY	MHE	
<small>PROPRIETARY NOTE: ANY INFORMATION DISCLOSED HEREIN IS FURNISHED FOR EVALUATION PURPOSES ONLY AND SHALL NOT BE USED OR DISCLOSED EXCEPT AS SPECIFIED BY CONTRACT BETWEEN THE RECIPIENT AND AVCON.</small>			REV.	0