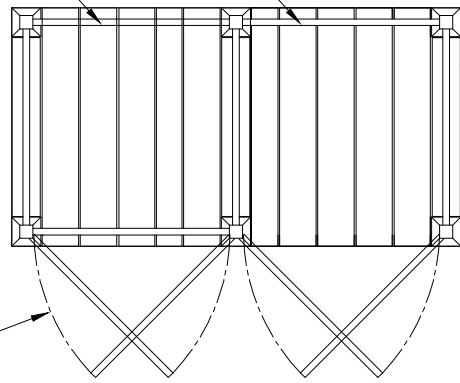


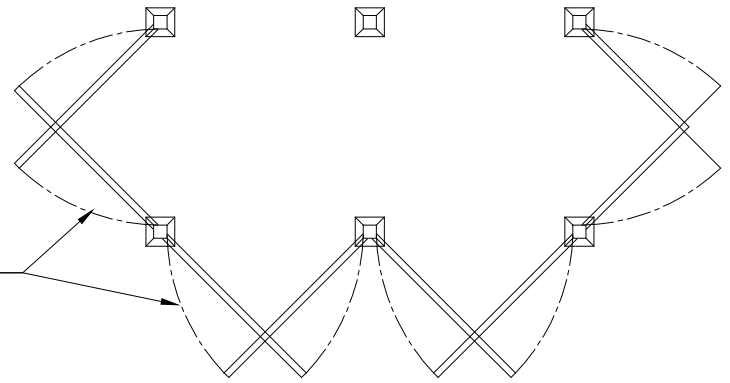
SHOWER / BACK WALL



OPTIONAL BASE FRAME
W/ REMOVABLE DECKING

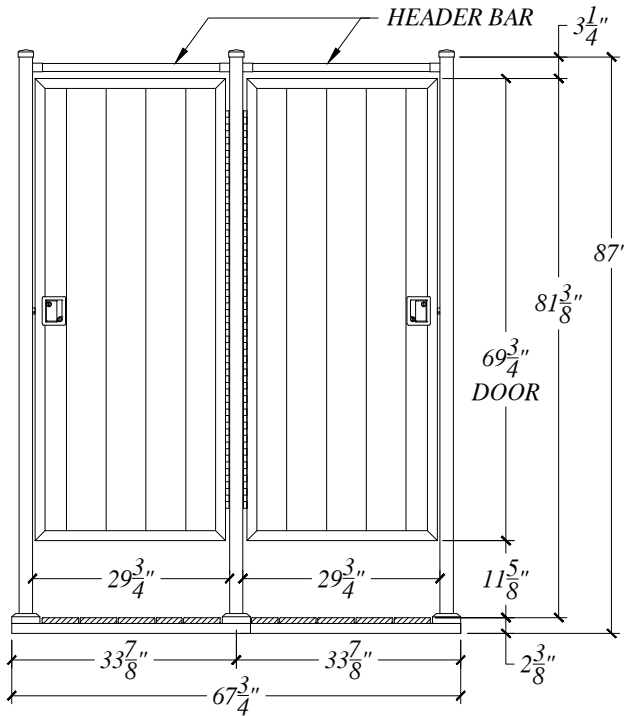
SEE DOOR
DETAIL

TOP VIEW



*DOOR CAN BE MOUNTED
ON ANY SIDE & SWING IN
EITHER DIRECTION
BETWEEN TWO POSTS

DOOR DETAIL

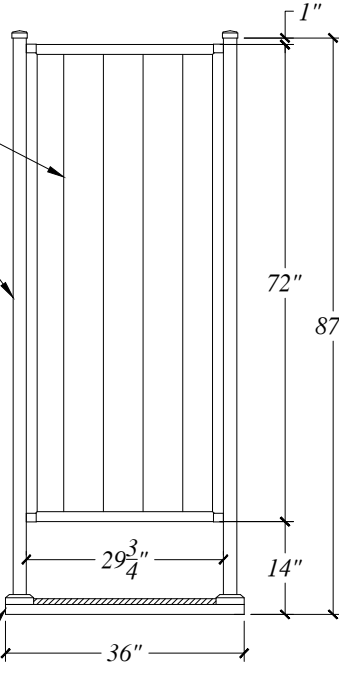


FRONT VIEW
WITH DOORS

THICK WALL
REINFORCED
VINYL PANELS

2" SQ.
ALUMINUM
POST

OPTIONAL BASE FRAME
W/ REMOVABLE LIFT
UP DECKING



SIDE VIEW
TYPICAL

○ MODEL D-8
36"

NOTES:

1. WALL PANEL COLORS AVAILABLE: WHITE / BEIGE / GRAY
2. DECKING FLOOR COLORS AVAILABLE: BEIGE / GRAY
3. THE DOOR CAN BE MOUNTED ON ANY SIDE OF THE ENCLOSURE AND HINGE CAN BE MOUNTED ON EITHER SIDE.

NOT TO SCALE



AVCON

1915 SWARTHMORE AVE., LAKEWOOD, NJ 08701
TEL. (732) 286-9496 FAX (732) 286 0526

SERIES: AVCON ENCLOSURES	JOB NO. -
SKU: -	COLOR -
DESC: -	DATE 09/09/20
PRODUCT: MODEL D-8 36"	DRAWN BY MHE
PROPRIETARY NOTE: ANY INFORMATION DISCLOSED HEREIN IS FURNISHED FOR EVALUATION PURPOSES ONLY AND SHALL NOT BE USED OR DISCLOSED EXCEPT AS SPECIFIED BY CONTRACT BETWEEN THE RECIPIENT AND AVCON.	
REV. 0	