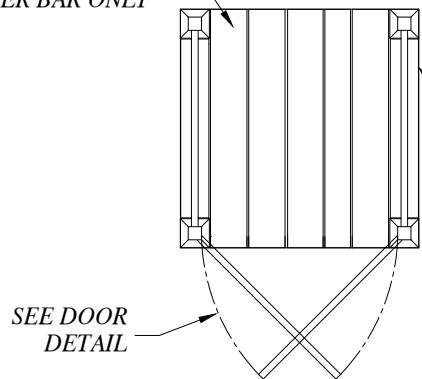


\\ADVANCED\Users\Advanced Products\OneDrive\Company Folder\Outdoor Enclosures\Drawings\CAD\Models\CAD Assy.dwg

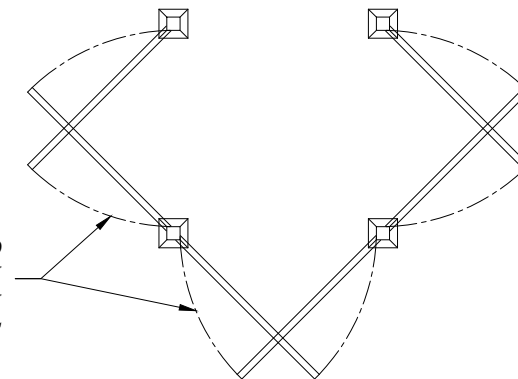
NO WALL PANEL,
HEADER BAR ONLY



OPTIONAL BASE FRAME
W/ REMOVABLE DECKING

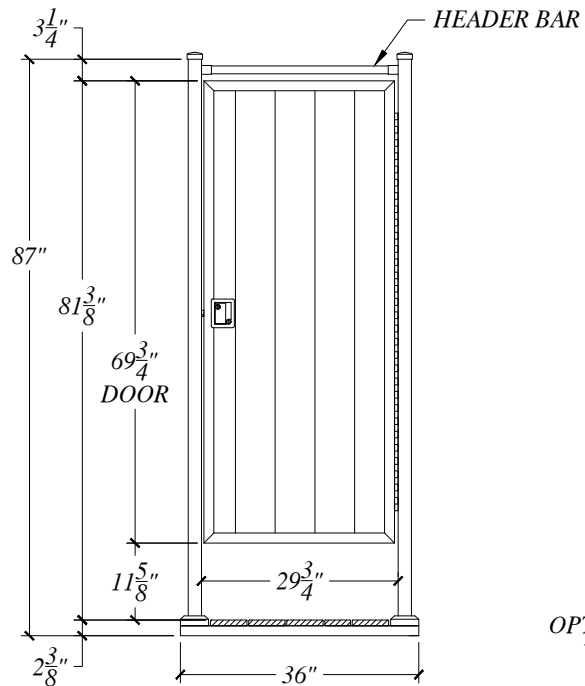
SEE DOOR
DETAIL

TOP VIEW



*DOOR CAN BE MOUNTED
ON ANY SIDE & SWING IN
EITHER DIRECTION
BETWEEN TWO POSTS

DOOR DETAIL

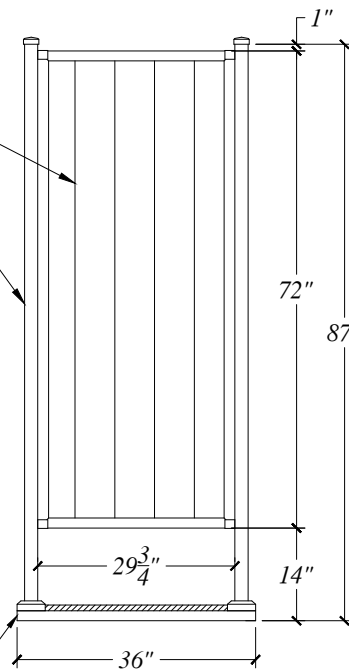


FRONT VIEW
WITH DOOR

THICK WALL
REINFORCED
VINYL

2" SQ.
ALUMINUM
POST

OPTIONAL BASE FRAME
W/ REMOVABLE LIFT
UP DECKING



SIDE VIEW
TYPICAL

- NOTES:
1. WALL PANEL COLORS AVAILABLE: WHITE / BEIGE / GRAY
 2. DECKING FLOOR COLORS AVAILABLE: BEIGE / GRAY
 3. THE DOOR CAN BE MOUNTED ON ANY SIDE OF THE ENCLOSURE AND HINGE CAN BE MOUNTED ON EITHER SIDE.

○ MODEL S-1
36"

NOT TO SCALE

| | | | | |
|---|------------------|--|----------|---|
| | | 1915 SWARTHMORE AVE., LAKEWOOD, NJ 08701 TEL. (732) 286-9496 FAX (732) 286 0526 | | |
| SERIES: | AVCON ENCLOSURES | JOB NO. | - | |
| SKU: | - | COLOR | - | |
| DESC: | - | DATE | 09/03/20 | |
| PRODUCT: | MODEL S-1 36" | DRAWN BY | MHE | |
| <small>PROPRIETARY NOTE: ANY INFORMATION DISCLOSED HEREIN IS FURNISHED FOR EVALUATION PURPOSES ONLY AND SHALL NOT BE USED OR DISCLOSED EXCEPT AS SPECIFIED BY CONTRACT BETWEEN THE RECIPIENT AND AVCON.</small> | | | REV. | 0 |